

TOUCH II

User friendly and totally programmable microprocessor with 7" touch screen.
USB Connection. Online platform free of charge for programming, telemetry, data analysis...thanks to the IoT.
Videos show on display: ads, instructions, (useful for coin laundry).
37 languages.

OUTSTANDING FEATURES

Reversing drum action as standard.
Stainless steel drum as standard.
Frequency inverter as standard.

EFFICIENCY

DOUBLE FLOW - mixed axial-radial airflow.
Big fluff filter.

VERSATILITY

Make to order - customisation.
Wet Cleaning.
OPL > Coin laundry - Standard OPL model easily trasformable to coin laundry uses (DTT-11 to DTT-35).

CONNECTIVITY

IoT - **DOMUSCONNECT** standard.
Management of laundries: OPL and self-service.
Remote payment (coin laundry).

ERGONOMICS

Drawer as fluff filter, stainless steel mesh.
Biggest door diameters.
Opening sense of door adjustable on site.

MAINTENANCE

Control panel: easy access.
Technical menu: statistics for technicians.
Easy access to parts for reparability.

OTHERS

Grey skinplate outer casing, stainless steel look.
NEW: Geared motor drive on models DTT-45 to DTT-80
SOFT DRY - new drum with stamped holes.
COOL DOWN - anti-wrinkle at the end of the cycle.
Heating options: electric, gas and steam.
CE approved

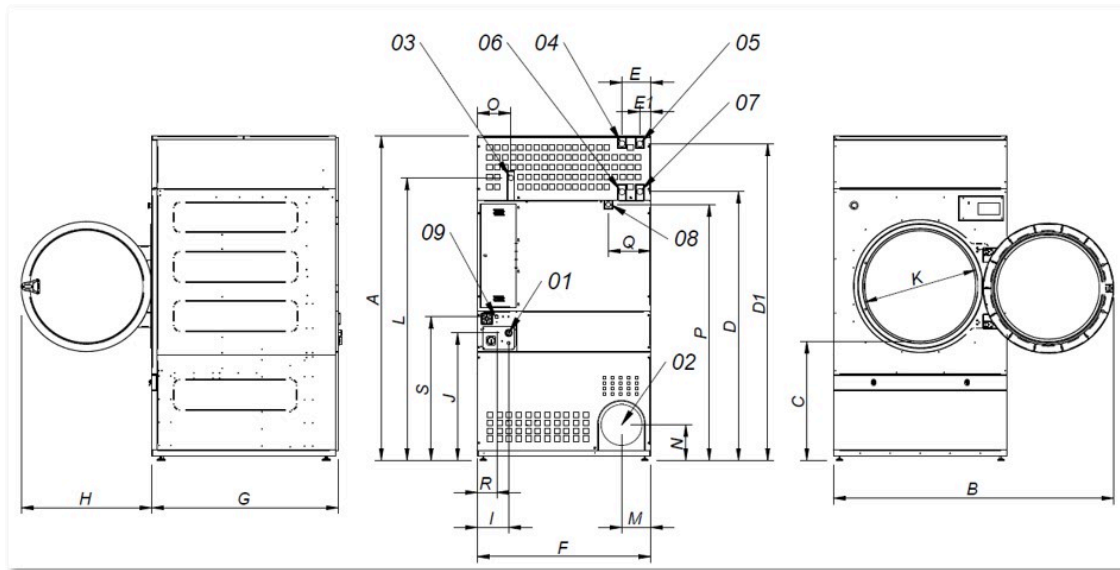


OPTIONS

- DOMUS LAUNDRY App - Self service
- License IoT - DOMUSCONNECT
- Natural gas heated tumble dryer
- Reinforced drum for heavy-duty use 45-60-80 kg
- Automatic sliding door DTT-45/60/80 (with double door glass)
- Manual sliding door DTT-45/60/80 (without double door glass)
- EFFICIENT DRY Humidity sensor
- Fire extinguisher SFEX DTT-60/80
- Opposite door opening DTT-45/60/80
- Tropicalized model
- Dosing-spraying
- Back panel with air filter DTT-11 to DTT-35
- Back panel with air filter DTT-45/60/80
- Fluff filter with grid 0,6 mm (standard is 0,3 mm)
- Fluff filter with grid 1,2 mm (standard is 0,3 mm)
- Stainless steel front and side panels DTT-80
- Front panel in stainless steel DTT-45/60/80
- Low pressure steam battery DTT-45/60/80
- Maritime wooden packing DTT-80
- 400V 3N 60 Hz DTT-45/60/80 E/S
- 400V 3N 60 Hz DTT-45/60/80 G
- 230V 3~ 50 Hz DTT-45/60/80 G/S
- 230V 3~ 60 Hz DTT-45/60/80 S
- 230V 3~ 60 Hz DTT-45/60/80 G
- 400V 3~ 50 Hz DTT-60/80
- 440/480V 3~ 60 Hz DTT-45/60/80 (marine)

CAPACITY & DRUM		UNIT.	DTT-80
Capacity 1/18		Kg	83,3
		lb	183,6
Capacity 1/20		Kg	75
		lb	165,3
Ø Drum		mm	1.225
		inch	48,23
Drum length		mm	1.252
		inch	49,29
Drum volume		l	1.500
		cu ft	52,95
Ø Door hole		mm	802
		inch	31,57
Door center height		mm	1.275
		inch	50,20
Height from floor to bottom of door		mm	813
		inch	31,99
ELECTRIC HEATING			
Evaporation capacity		L/h	64
		US gallon/h	16,9
Hourly output		Kg/h	128,6
		lb/h	283,5
Installed heating power		kW	72
Installed electrical power		kW	74,65
GAS HEATING			
Evaporation capacity (gas model)		L/h	86,5
		US gallon/h	22,851
Hourly output (gas model)		Kg/h	173,1
		lb/h	381,6
Installed gas heating power		kcal/h	103181
		Btu/h	409457
Installed gas heating power		kW	120
Installed electrical power		kW	2,65
Instant propane gas consumption (G31)		Kg/h	10,28
		lb/h	22,66
Instant natural gas consumption (G20)		m ³ /h	12,71
		cfm	7,48
Ø Gas inlet		BSPP ISO 228-1	3/4"
STEAM HEATING			
Installed steam heating power		kW	128
		Btu/h	436754
Installed electrical power		kW	2,65
Steam consumption (8 barG) - Standard		kg/h	171
Steam consumption (116 psiG)		lb/h	206
Steam pressure		barG	7 - 12
		psiG	101,5 - 178
Standard steam inlet - outlet		BSPT- ISO7.1	1"
Standard steam inlet - outlet		NPT ANSI B1.20.1 Tapered	1"
Steam consumption (5 barG) - Low Pressure		kg/h	147
Steam consumption (72,5 psiG) - Low Pressure		lb/h	177,1
Steam pressure (low pressure)		barG	4 - 7
		psiG	58 - 101,5
Low pressure steam inlet - outlet		BSPT- ISO7.1	1" 1/2
THERMAL OIL HEATING			
Installed heating power		kW	128
Installed electrical power		kW	2,65
Fluid consumption (T max 175°C)		m ³ /h	10
Thermal oil connection		BSP	1" 1/2

POWER AND VENTILATION			
Drum motor power	kW	1,50	
Fan motor power	kW	1,1	
Nominal air flow rate	m ³ /h	3.000	
	cfm	1766	
Ø Fume exhaust	mm	300	
	inch	11,81	
HEAT EMISSION			
Maximum total heat emission	kW	6,5	
	Btu/h	22124	
Max. front heat emission	kW	2,9	
	Btu/h	9833	
CONNECTIONS			
Tension 230V - I + N + T	Nº x mm ² / A	E	G / S
Tension 230V - III + T	Nº x mm ² / A	-	-
Tension 400V - III + N + T	Nº x mm ² / A	5 x 50 / 125A	5 x 2,5 / 25A
NET DIMENSIONS / D. WITH PACKING			
Net / gross width	mm	1.270 / 1.330	
	inch	50 / 52,4	
Net / gross depth	mm	1.598 / 1.705	
	inch	62,9 / 67,1	
Net height / gross height (without heating*)	mm	2.380 /*2.200	
	inch	93,7 / *86,6	
Net / gross weight	Kg	657 / 715	
	lb	1.448 / 1.576	
OTHERS			
Sound level	dB	67	



- 01 Power supply
- 02 Fumes output Ø 300
- 03 Gas inlet 1/2"
- 04 Steam inlet 1" (DTT-45)
- 05 Steam inlet 1" (DTT-60-80)
- 06 Condensate outlet 1" (DTT-45)
- 07 Condensate outlet 1" (DTT-60-80)
- 08 Sprinkler valve 3/4"
- 09 Ethernet connection (only TOUCH Control)

	A	B	C	D	D1	E	E1	F	G	H	I	J	K	L	M	N	O	P	Q	R	S
DTT-45	2.380	2.045	874	1.981	2.311	211	80	1.270	1.106	956	248	935	802	2.088	214	240	244	1.841	308	160	1.053
DTT-60	2.380	2.045	874	1.981	2.311	211	80	1.270	1.366	956	248	935	802	2.088	214	240	244	1.841	308	160	1.053
DTT-80	2.380	2.045	874	1.981	2.311	211	80	1.270	1.598	956	248	935	802	2.088	214	240	244	1.841	308	160	1.053